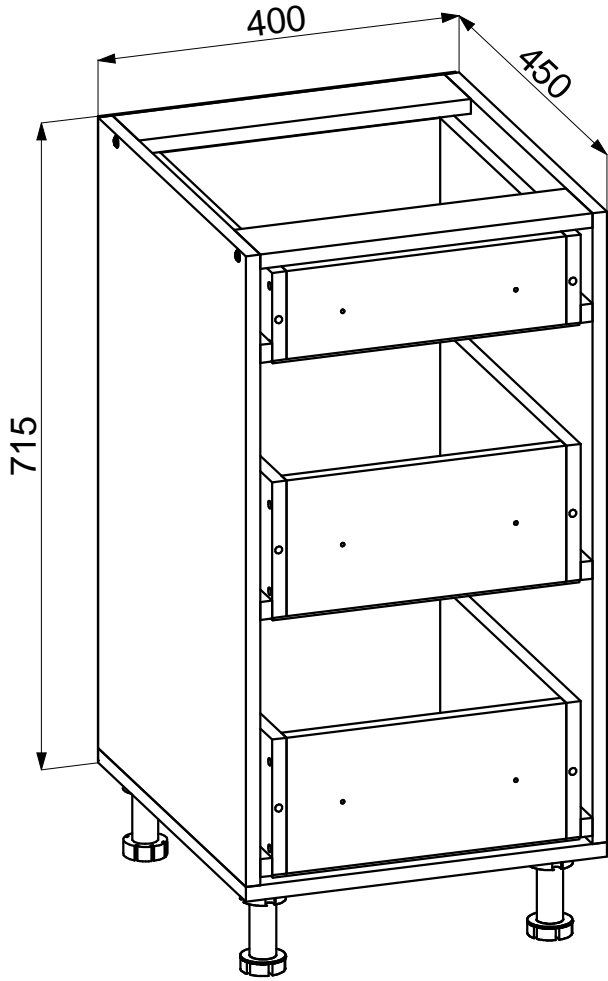
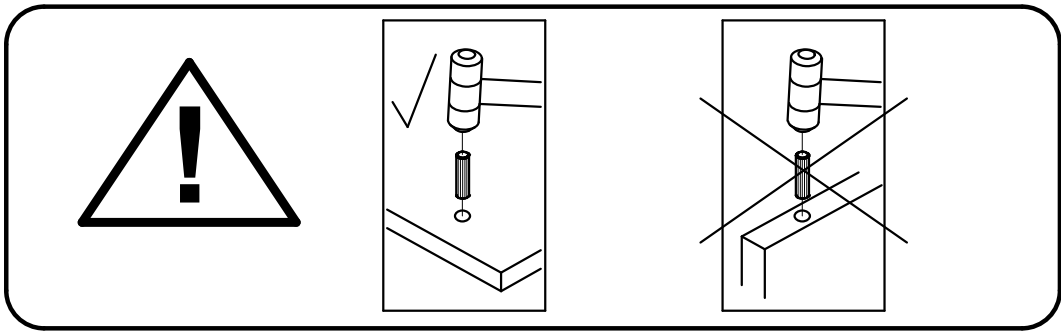


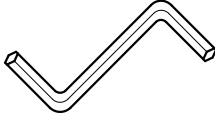


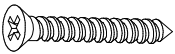
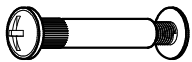
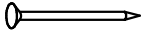
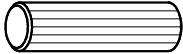
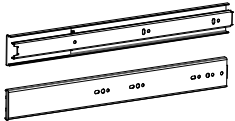
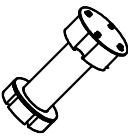



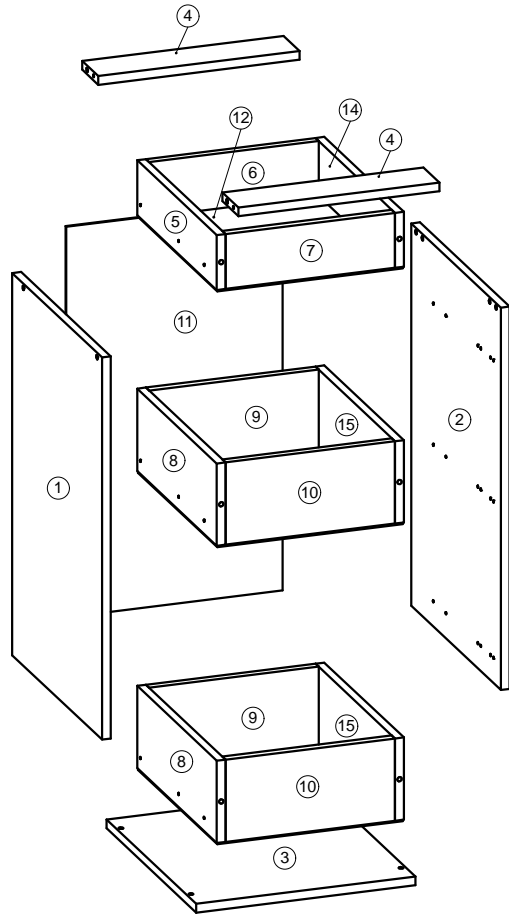
**Mirela II**  
**DNº14 400x715 3Sh**





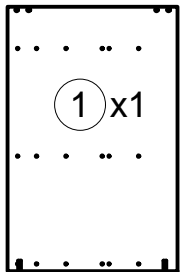


 Ø6,3x50 mm <b>A1 x 8</b>	 Ø12 mm <b>A2 x 8</b>	 4 mm <b>A3 x 1</b>	 Ø3x16 mm <b>D1 x 16</b>	 Ø4x16 mm <b>D2 x 36</b>
 Ø4x30 mm <b>D3 x 10</b>	 Ø8x30 mm <b>E x 2</b>	 Ø1,6x25 mm <b>F x 87</b>	 Ø8x36 mm <b>G x 34</b>	 <b>K x 3</b>
 <b>N x 4</b>	 50g <b>R x 1</b>			

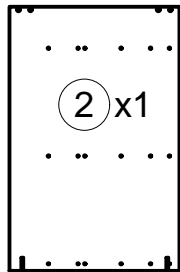


### Box

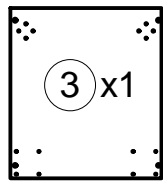
450x699x16 mm



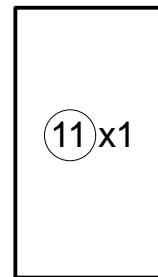
450x699x16 mm



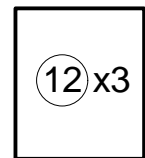
400x450x16 mm



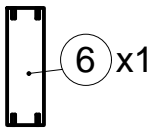
714x398x3 mm



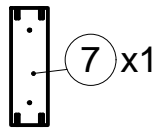
398x340x3 mm



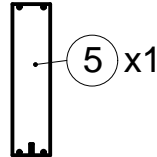
310x100x16 mm



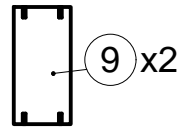
310x100x16 mm



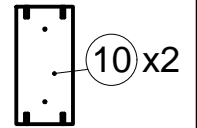
400x100x16 mm



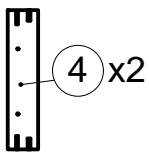
310x150x16 mm



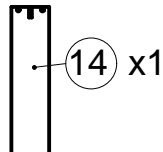
310x150x16 mm



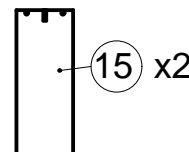
368x80x16 mm



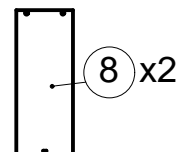
400x100x16 mm



400x150x16 mm

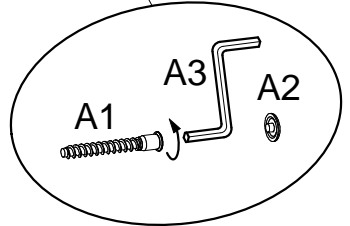
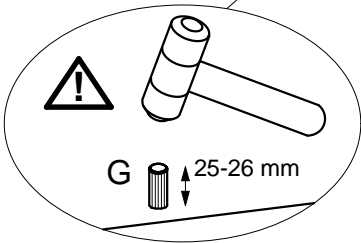
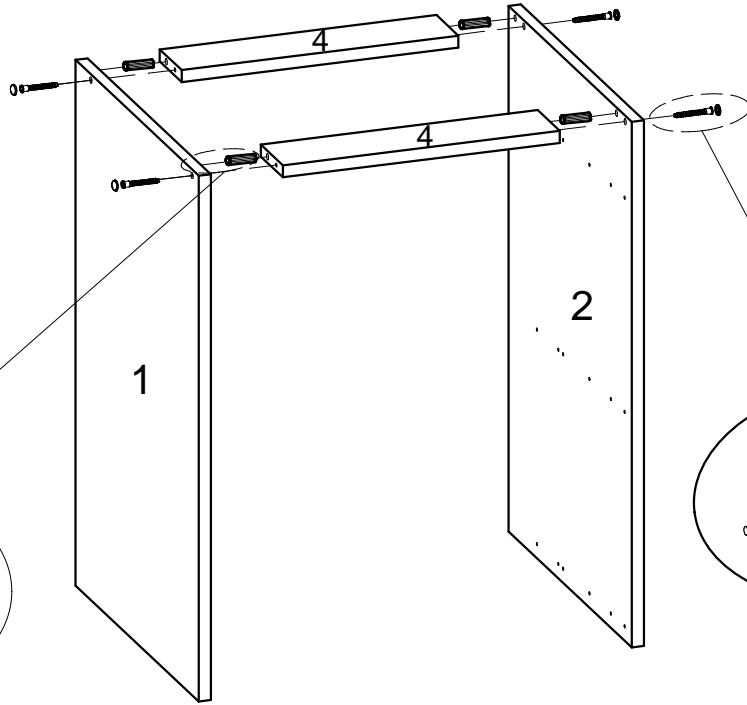
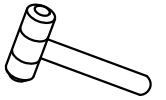
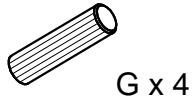
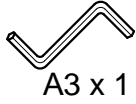
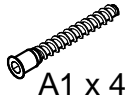


400x150x16 mm

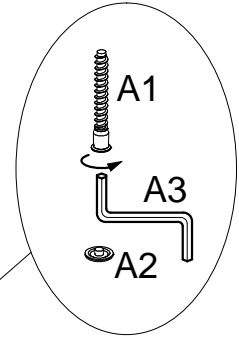
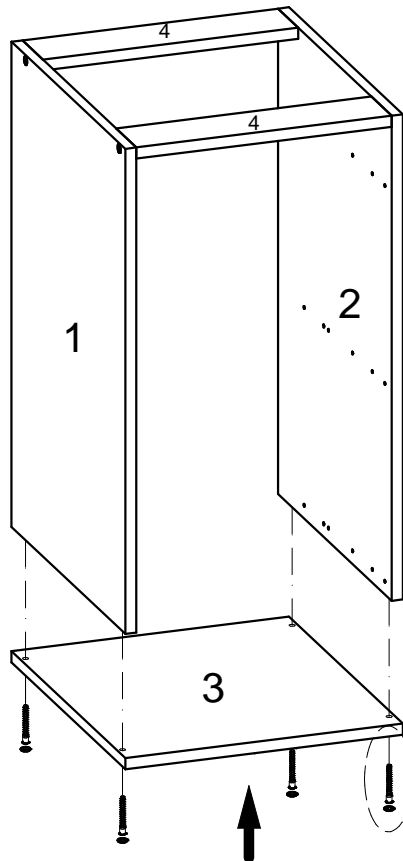
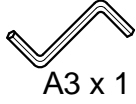
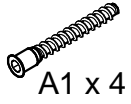


Fittings & Tools

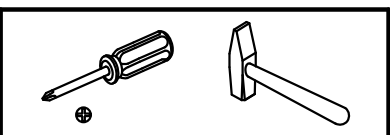
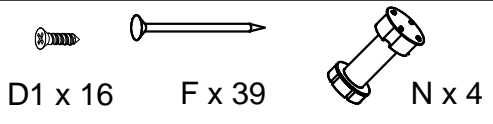
1



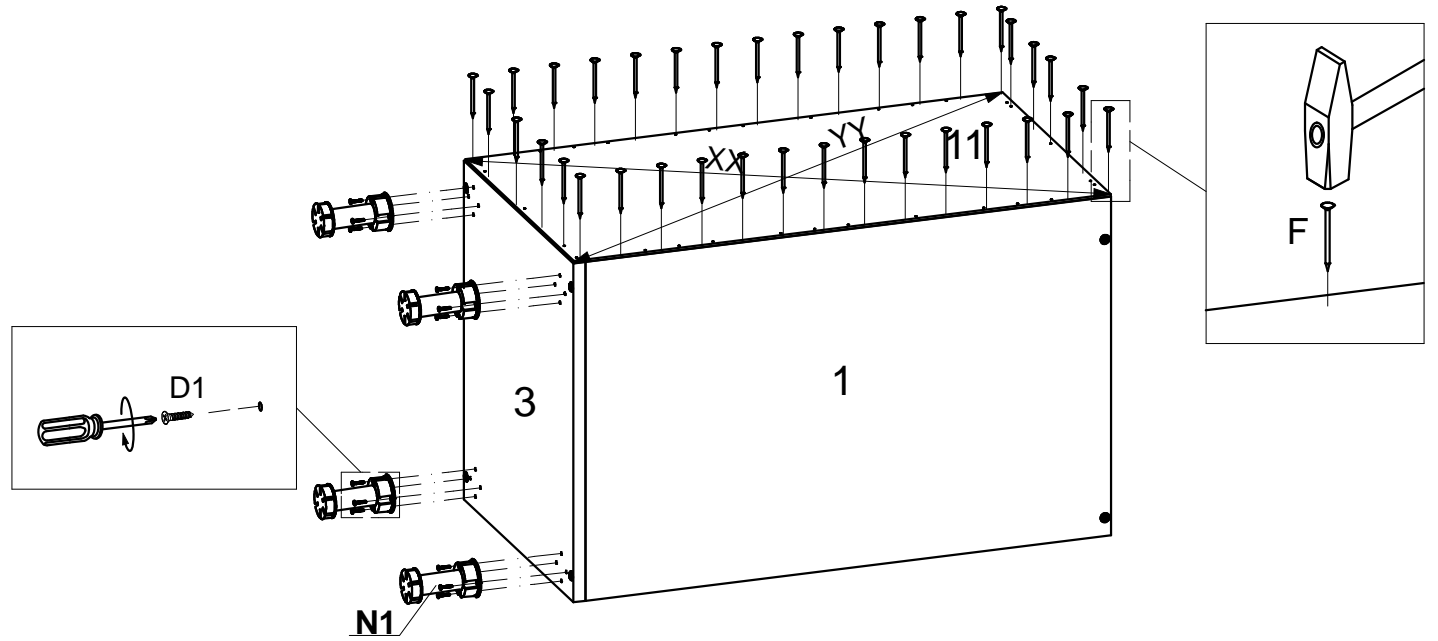
2



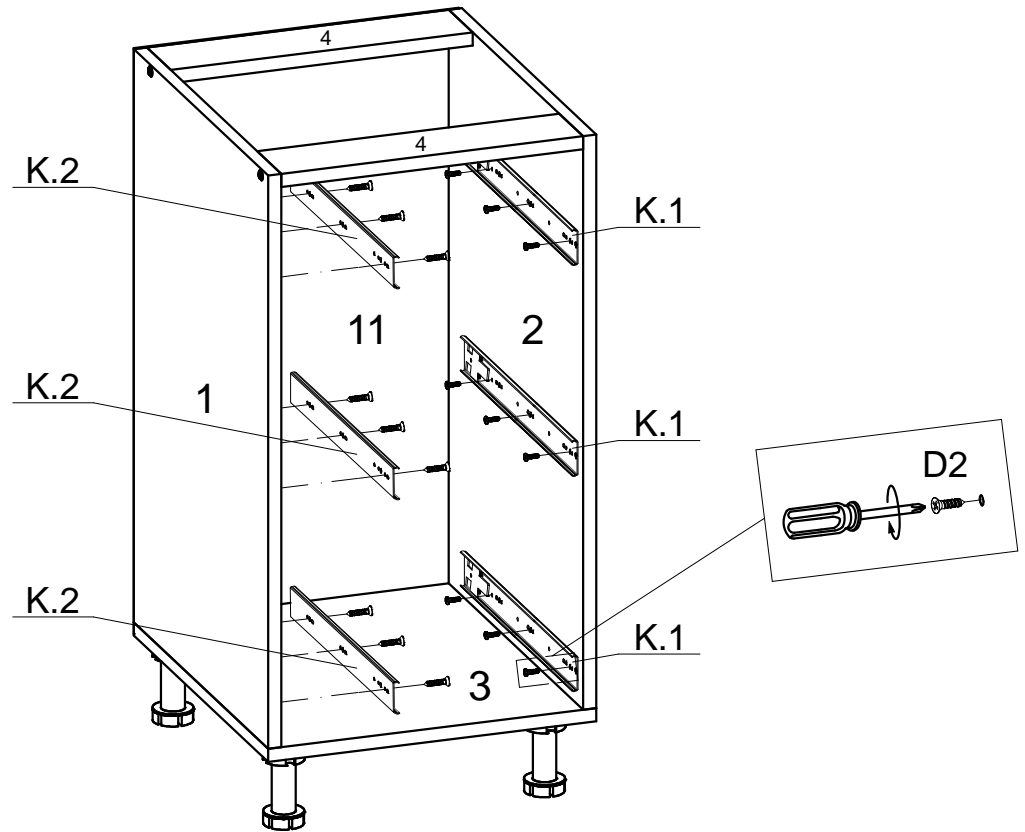
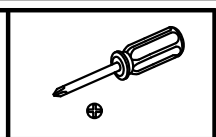
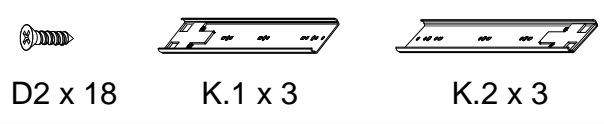
3



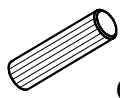
⚠ XX=YY≅90°



4



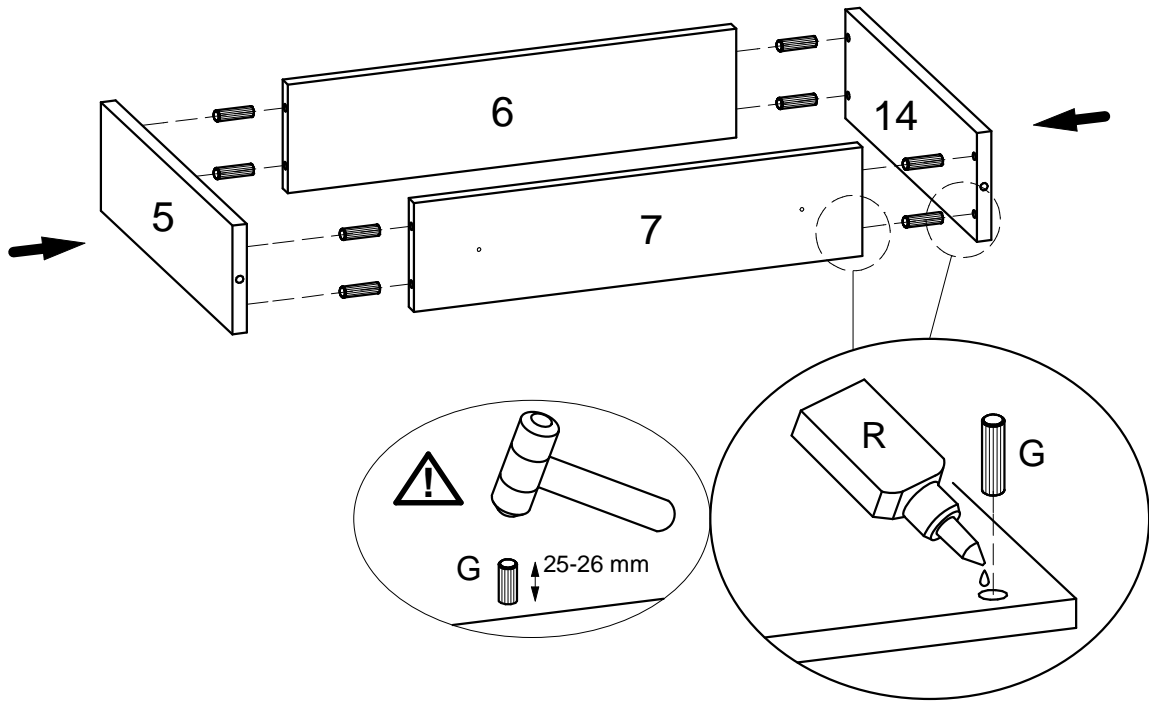
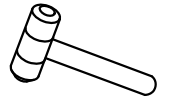
5



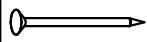
G x 8



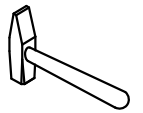
R x 1



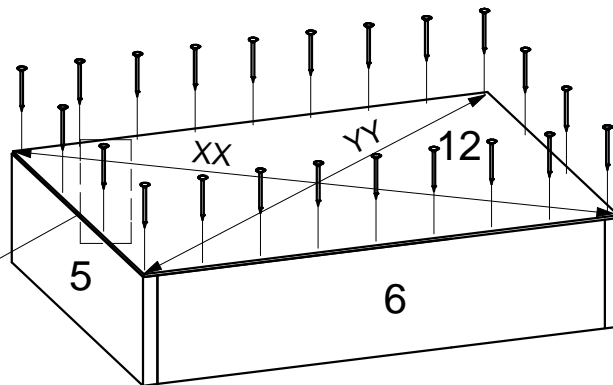
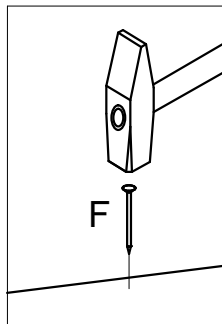
6



F x 16



⚠ XX=YY≅90°



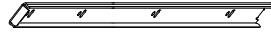
7



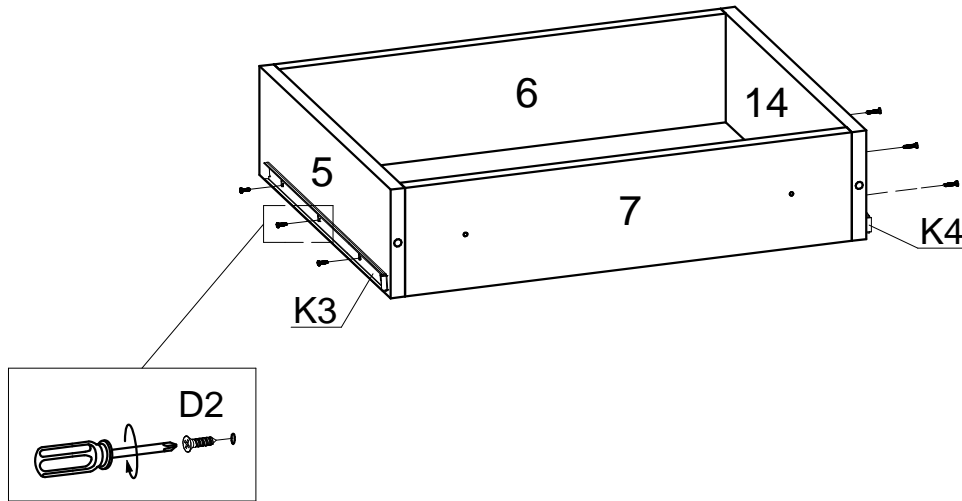
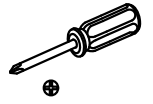
D2 x 6



K.3 x 1



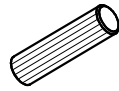
K.4 x 1



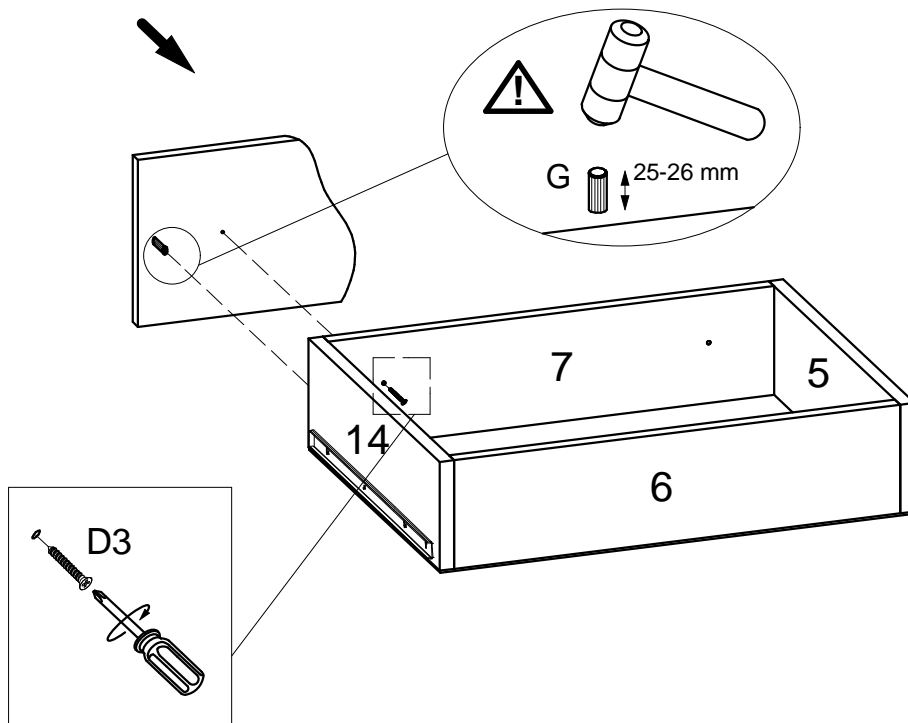
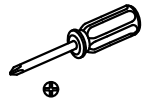
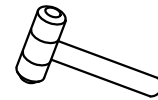
8



D3 x 2

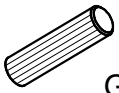


G x 2





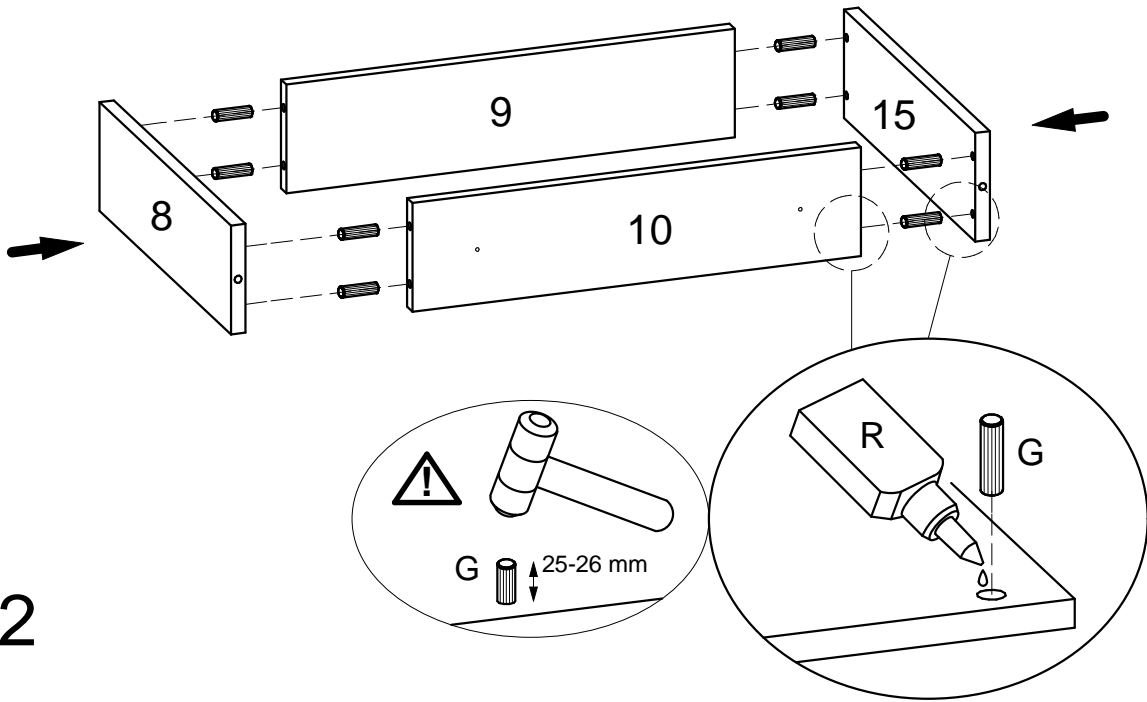
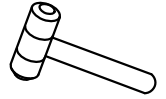
9



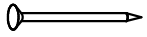
G x 16



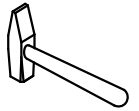
R x 1



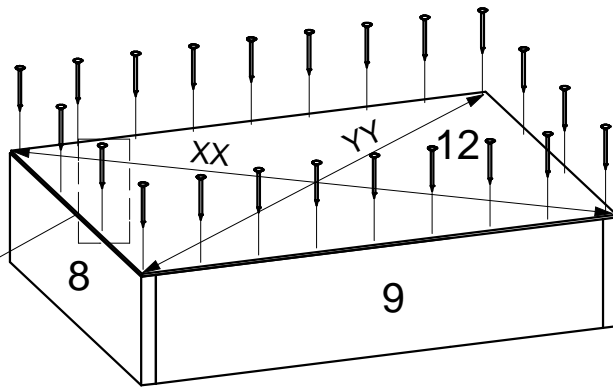
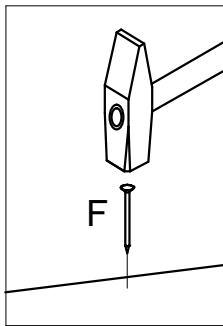
10



F x 32



⚠ XX=YY≅90°



11



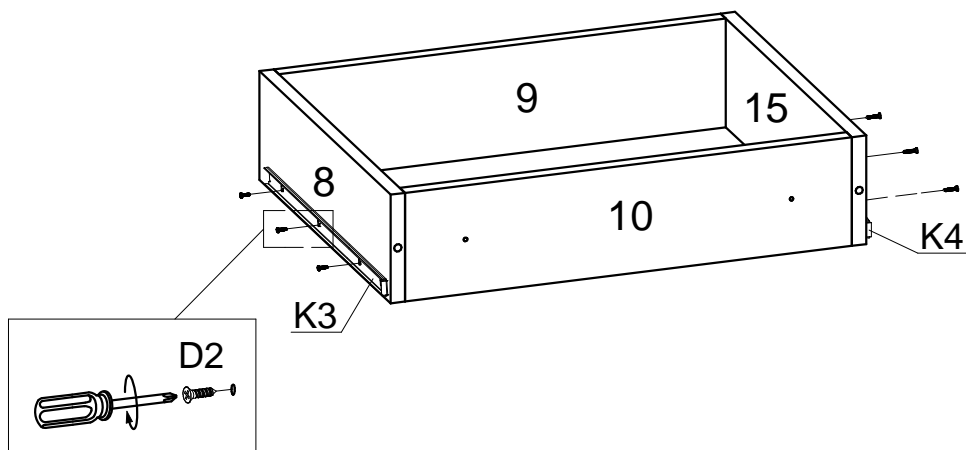
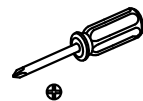
D2 x 12



K.3 x 2



K.4 x 2

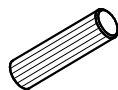


x 2

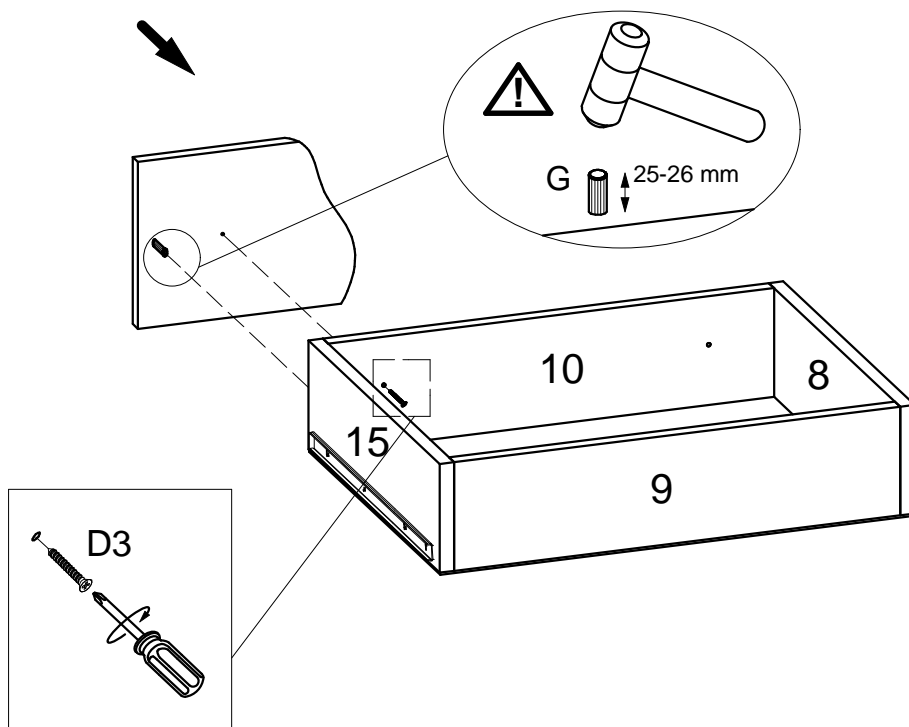
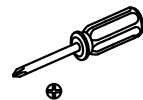
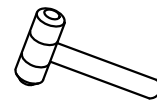
12



D3 x 4

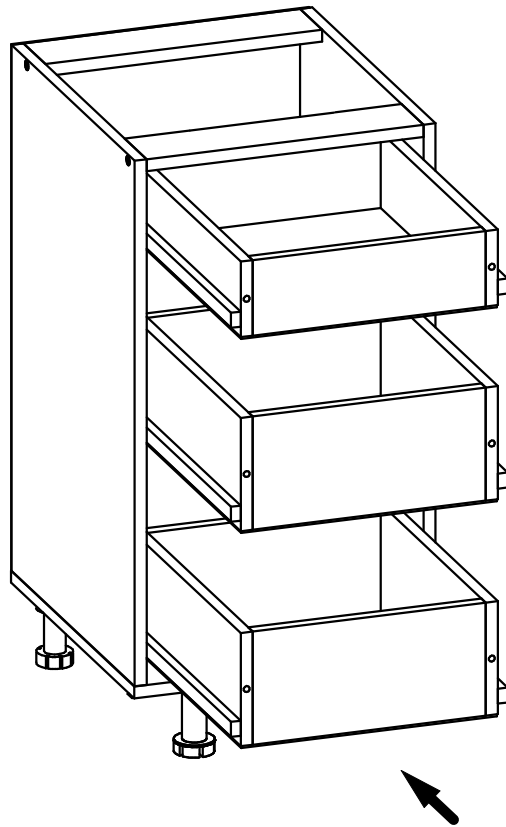


G x 4

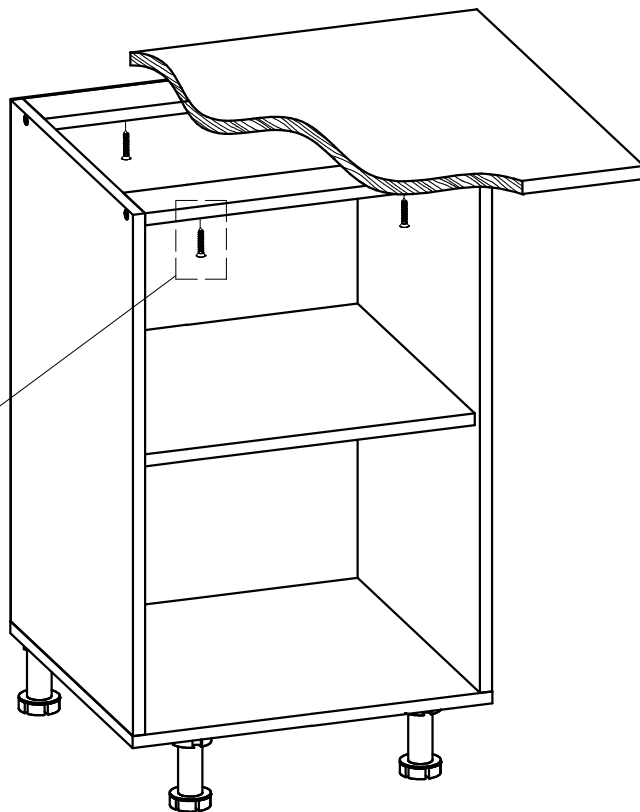
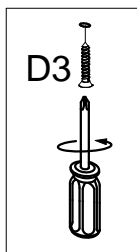
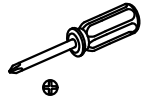


x 2

13

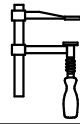


D3 x 4

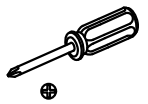
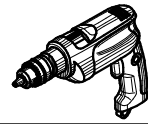




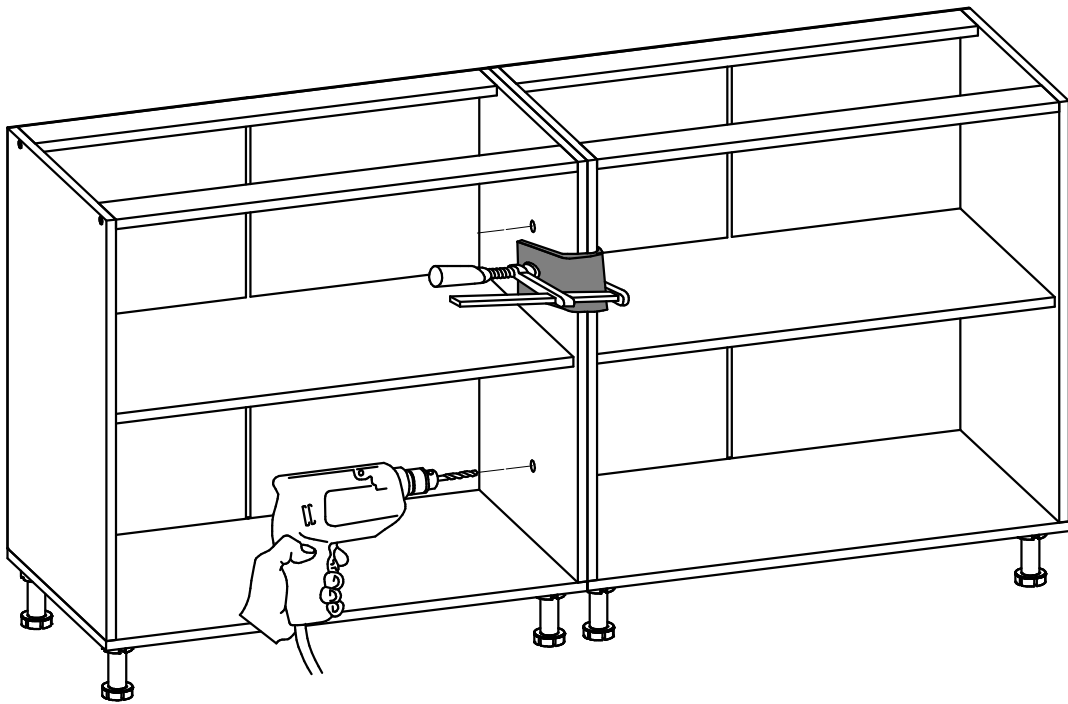
Ex 2



Ø8



1



2

